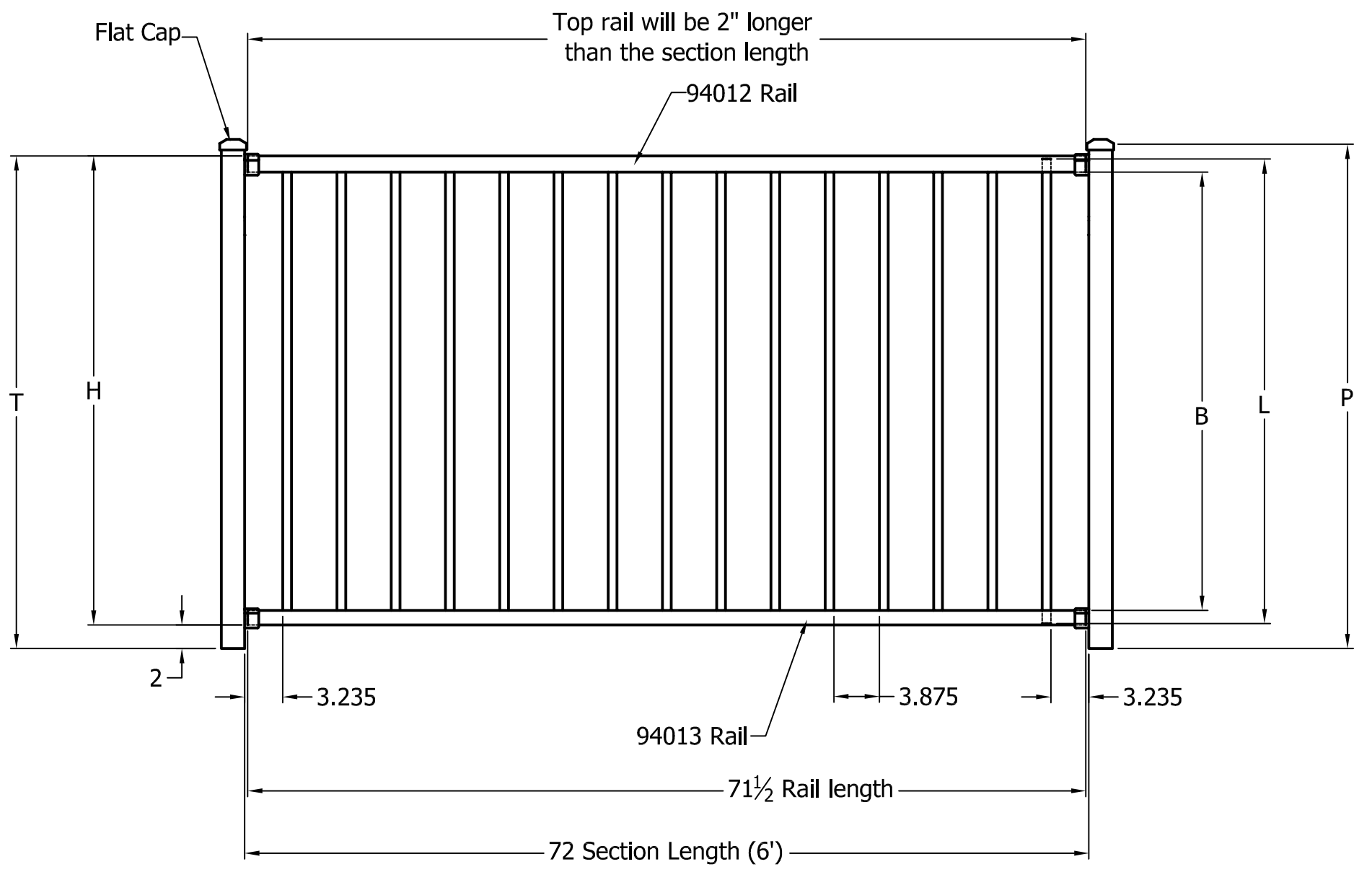


REV.	LOC.	REVISION	DATE
A		RELEASE PENDING APPROVAL	



Railing Call Size	T	H	B	L	P
36" Railing	36	34	31 3/8	33 1/2	37
42" Railing	42	40	37 3/8	39 1/2	43

FINISH:

**DSI** Digger Specialties, Inc. 3446 US 6 EAST Bremen, IN 46506

SHEET SIZE= C	DRAWN BY: fsb	PART NUMBER:
SCALE = none	DATE DRAWN: 09-30-2014	
STANDARD TOLERANCE: .00 ±.01 FRACTIONS: .000 ±.005 ±1/16" ANG. ±.5°	LOC ACAD: 2:/Alum/Westbury/C10 Tuscan/Sections	STYLE: C10 Tuscany
DRAFT: 20140930-3F	LOC PDF:	FILE NAME: C-10 6 foot
		SHEET OF
		REV. A